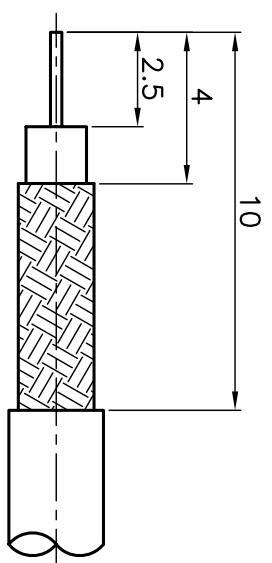
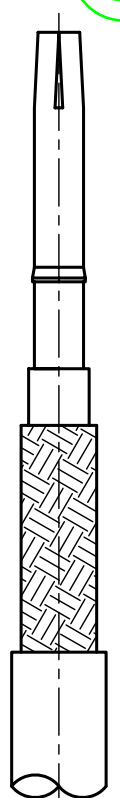
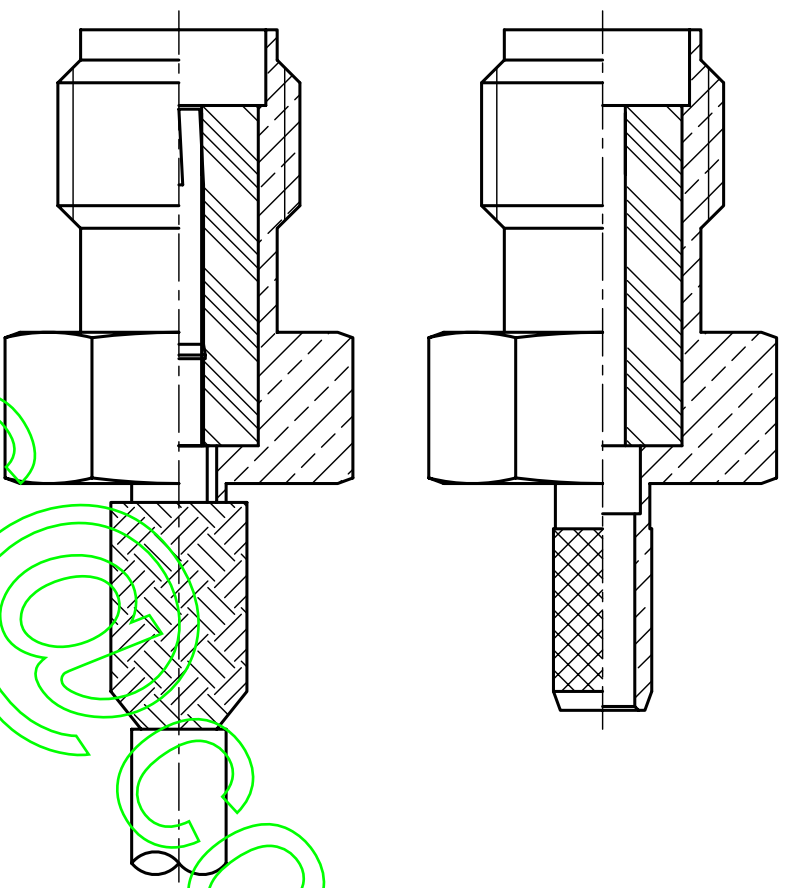
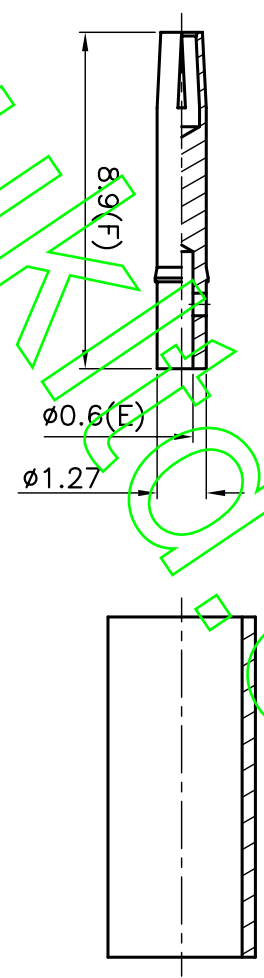


ISS	DESCRIPTION \ DATE

REVISIONS



RECOMMENDED  
CABLE STRIPPING DIM'S



1. CRIMPED FERRULE  
HEX CRIMP SIZE .128"
2. CONTACT PIN TO SOLDER

**CONNECTORS CABLES**  
**SGS**  
**SPECIALISTS LTD.**

TITLE: SMA CRIMP JACK  
(FOR RG174/U)

PART NO: SMAJCR174  
DRAWING NO:

APRD:	UNLESS OTHERWISE SPECIFIED TOLERANCES
CHKD:	0.5-6 = ±0.2
DR:	>6-30 = ±0.4
	>30-120 = ±0.6
	>120-315 = ±1.0
	>315-1000 = ±1.6
	ANGLES = ±5°

DATE: 05/07/10"  
SHEET: .

NO.	DESCRIPTION	MATERIAL	FINISH	SGS REPORT NO
	FERRULE	BRASS	GOLD	KA/2005/10527 \ KA/2005/30993
	CONTACT PIN	P.B.	GOLD	KA/2005/10526 \ KA/2005/30993
	INSULATOR	TEFLON	WHITE	KA/2005/50918
	BODY	BRASS	GOLD	KA/2005/10527 \ KA/2005/30993

GO-NYK  
ROHS COMPLIANT